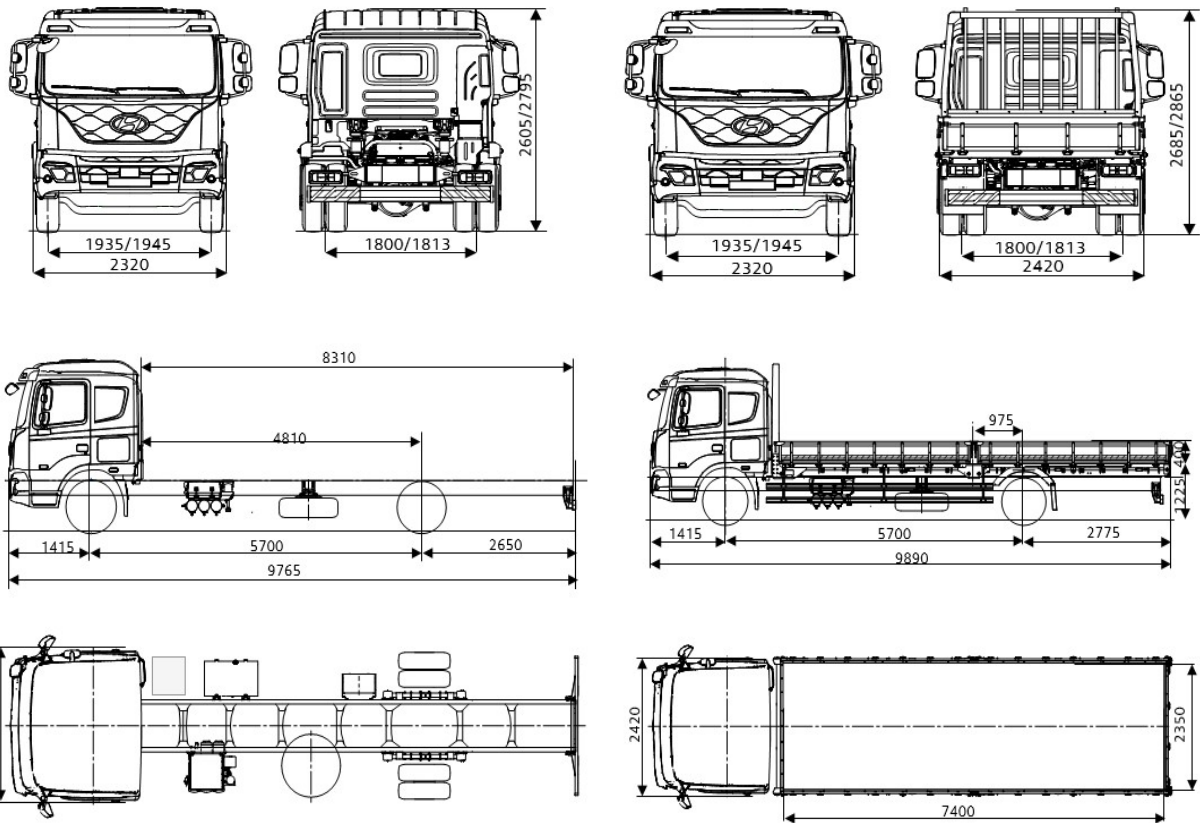


PAVISE D1 4x2 Cargo Ultra Long Wheelbase



Vehicle Type	Cargo
Cab Type	Sleeper Cab
Deck Height	High
Wheel Base	Extra Long
Drive System	LHD / RHD, 4 X 2
Application Engines	D6GA2B D6GA224 D6GA2E D6GA253 D6GA25A

Dimensions (mm)

Wheel Base	Length	5,700	
Overall (Chassis Cab / Cargo)	Width	9,765 / 9,890	
	Height	STD	2,320 / 2,420
		HIGH	2,605 / 2,685
Wheel Tread	Front / Rear	2,795 / 2,865	
		ST 1,935 / 1,800 AL 1,945 / 1,813	
Overhang (Chassis Cab / Cargo)	Front	1,415 / 1,415	
	Rear	2,650 / 2,775	
Deck size (Cargo)	Length	7,400	
	Width	2,350	
	Height	400	
	Floor Height	1,225	
Deck Offset		975	
	C.A (Cab to rear Axle)	4,810	
	C.E (Cab to end of frame)	8,310	
	Min. Ground Clearance	205	
Min. Turning Radius	m	9.8	

Weight (kg)

Curb Weight	4,880	4,895	4,920	4,880	4,920	
(Chassis Cab/Cargo)	Front	3,310	3,320	3,340	3,310	3,340
	Rear	1,570	1,575	1,580	1,570	1,580
** Max Gross Vehicle Weight		12,680 , 12,900, 15,500				
	Front / Rear	4,480 / 8,200, 4,480 / 8,480, 6,000 / 9,500				

** Max. GVW includes the front & rear axle loads based on the permissible tire load.